

# ANBAUANLEITUNG

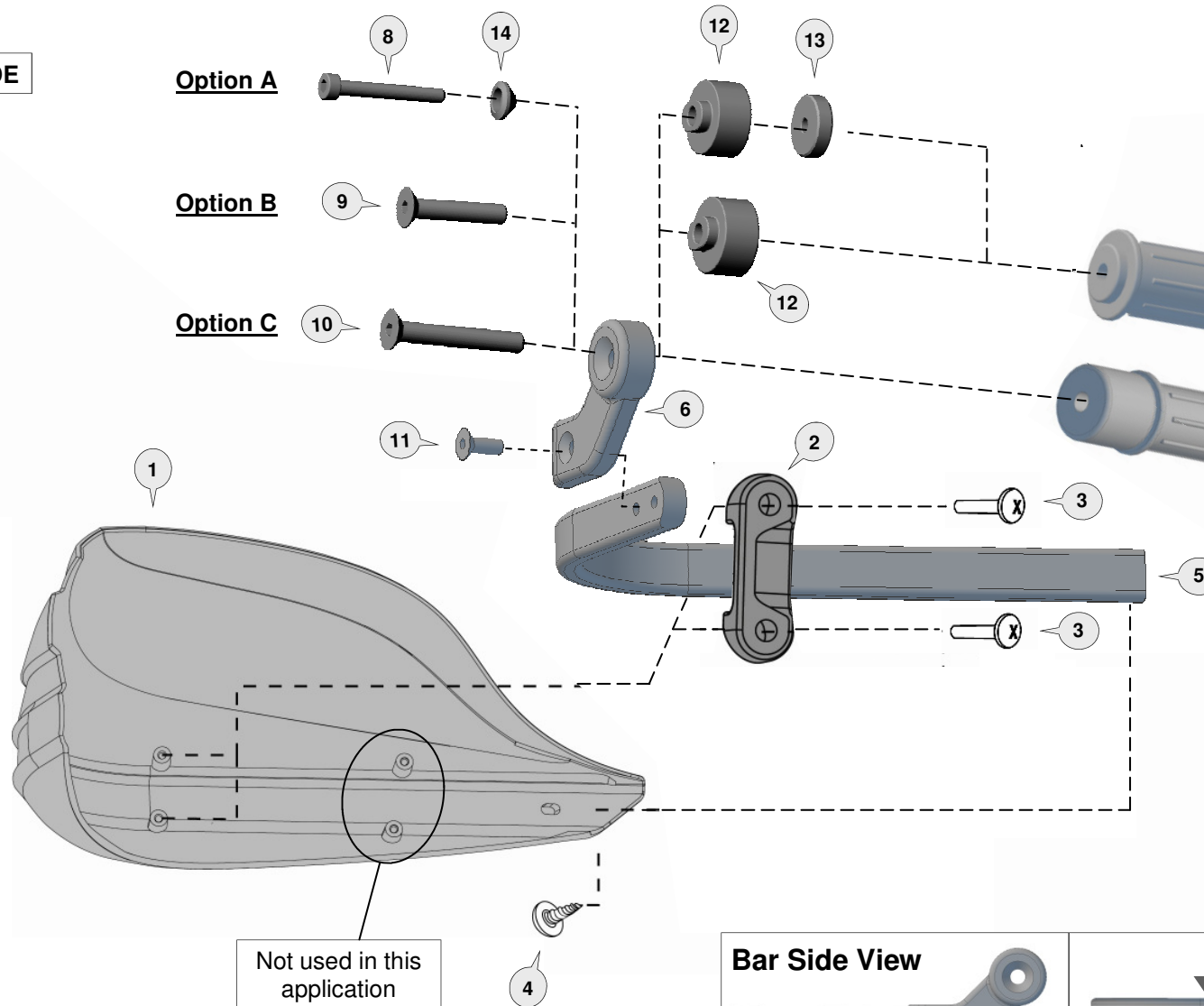
mounting instructions • instructions de montage • instrucciones de montaje • istruzioni di montaggio

**HPR.00.666.42800/BU**

beinhaltet • contains • contient • contiene • contiene

STM-007-01-NP

**LEFT SIDE**



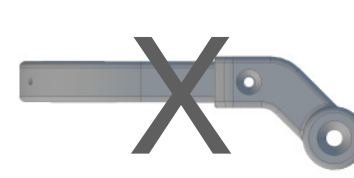
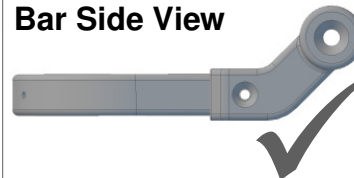
**Option A**  
Handlebars with fixed 6mm internal thread.  
Triumph models with 5mm thread we recommend to drill and tap to 6mm.

**Option B**  
Handlebars with fixed 8mm internal threads (must remove handlebar end weights). Fits many Kawasaki models with handlebar protruding past the end of the grips when bar end weight is removed.

**Option C**  
Handlebars with fixed 8mm internal thread (must leave handlebar end weight in place). Fits to the end of the handlebar weight on many BMW models.

**NOTE:**  
Some bikes may require a combination of parts from option A,B and C. For additional fitting assistance:  
email: [info@barkbusters.net](mailto:info@barkbusters.net)

**Bar Side View**



Phone: +61 (0)2 4271 8244  
Email: [info@barkbusters.net](mailto:info@barkbusters.net)



**NOTE:** Model **STM-007-01-NP** does not include **Items 1, 2, 3 & 4**

Recommended Torque Settings	
M6	10 Nm (7.4 lbf ft)
M8	20 Nm (14.8 lbf ft)

**CAUTION:**

Installation of the handguard is safety-relevant work and can be complicated. We recommend the installation be performed by a motorcycle service technician. Rideworx accepts no liability for damages caused by improper mounting. All screws, bolts and nuts, including all replacement hardware provided by Rideworx, should be tightened to the torque specified in the table. After the first 50km of riding check all screws, bolts and nuts are tightened to the correct torque. We recommend a medium strength liquid thread lock product on all fasteners.

**WARNING:**

Check operation of all handlebar controls, specifically the throttle, front brake, kill switch and clutch to ensure they are operating correctly and are in accordance with the OEM specifications. Do not ride the motorcycle if any controls are not operating correctly. Check periodically that all bolts are tight.

**Disclaimer:**

Rideworx inspects all products prior to packaging and strives toward improving its products. Our guarantee is limited to the replacement of defective products. This limited guarantee is in lieu of all other guarantees or warranties implied or expressed. Buyer assumes all risk for any and all damage caused to him/herself, a third party and/or property by virtue of failure of this product. We make no warranty as to products distributed by Rideworx, expressed or implied from our suppliers or third party vendors. This includes, without limitation, any warranties or merchantability and fitness for a particular purpose. All products are offered and designed for use with standard machines. Rideworx makes no claims as to the products effectiveness on modified machines. Rideworx is the sole determiner of abuse, misuse, installation errors and modifications. We assume no liability for any errors in listings, specifications, part numbers, prices or model applications. We reserve the right to change specifications, product descriptions, product quality, pricing and application at any time without notice and without further obligation. These handguards are not designed to prevent injury in the event of an accident or crash. Ensure all controls are free of the handguards each time you ride. Failure to follow the instructions or heed this warning could lead to loss of control of your motorcycle and/or accident, injury or death. By installing and/or using a Rideworx product, you hereby accept and understand these stated terms and conditions and have followed all instructional steps.



Phone: +61 (0)2 4271 8244  
 Email: [info@barkbusters.net](mailto:info@barkbusters.net)  
 Web: [www.barkbusters.net](http://www.barkbusters.net)

